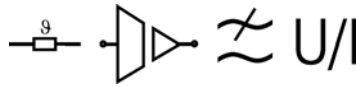


ISO-Pt100



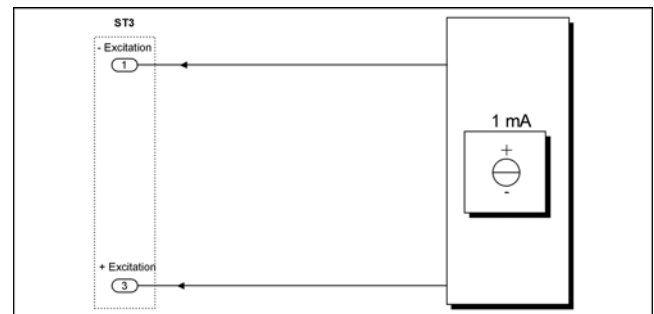
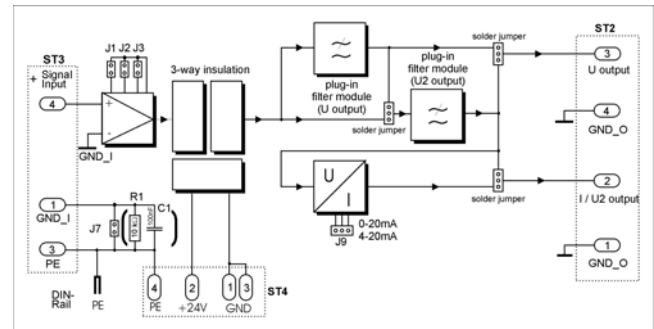
Characteristics

The **ISO-Pt100 Module** offers signal conditioning of Pt100 sensors in 4-wire technology. Linearisation is done by the module, with a fixed range of -100 to +100, +200, or +500°C, to be specified with order. Sensor supply of 1 mA constant is isolated, provided by the module. Depending on the base configuration the module has voltage and current outputs.

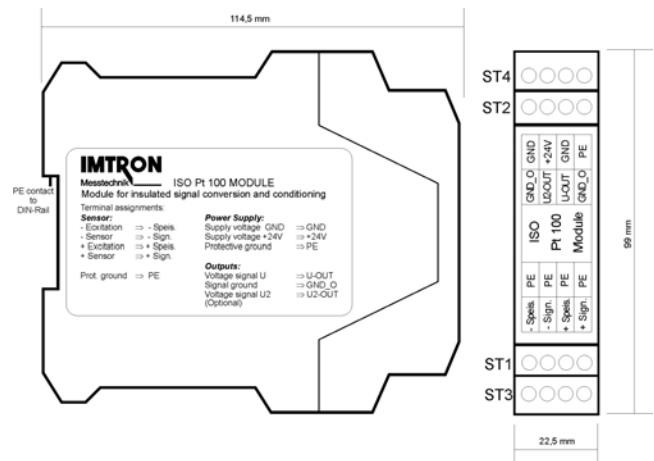
Technical Data

Supply voltage	24 V DC ± 10 %
Power consumption at nominal voltage (without sensor / without load)	65 mA
Electrical isolation (3-way isolation)	1000 V DC
Accuracy	0.2 %
Cut-off frequency (standard / maximum)	5 Hz / 10 kHz
Linearity (typical)	0.1 %
Input Sensor Input resistance	Pt100 RTD 10 MΩ
Output – Voltage Output range (V1 / V2)	± 10 V / 0..10 V
Output – Current Output range (A1 / A2 / A3)	± 20 mA / 0..20 mA / 4..20 mA
Max. load current (U output)	± 12 mA
Residual ripple @ f _g = 5 kHz f _g = 10 kHz	typ. 2 mV _{pp} typ. 5 mV _{pp}
Sensor supply	Constant current 1 mA
Multi-wire technology	4-wire
Range 1 fixed range to be specified with order	-100°C..+100°C -100°C..+200°C -100°C..+500°C
Environmental temperature	0..50 °C
Plug-in filter Standard frequencies in Hz	10, 30, 50, 100, 300, 500, 1 k, 3 k, 5 k, 10 k

Block Diagram



Dimensions



Ordering Code

60-ISO-PT100-A-MBS-XX-YY-ZZ

- A = 1 (1 output), 2 (2 outputs)
- MBS = Range select 1, 2, 5 (+100, 200, 500 °C)
- XX = Filter frequency
- YY = Characteristics (BW = Butterworth, BS = Bessel)
- ZZ = Voltage resp. current output

Example: 60-ISO-PT100-1-5-10 kHz-BW-V1