

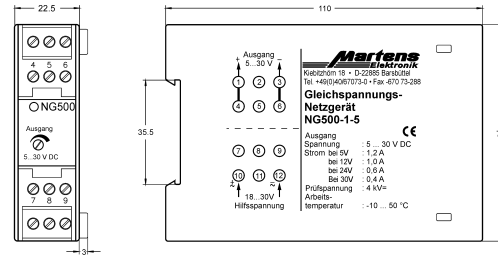
Product Information

Power Electronics

DC Power Supply NG500



Dimensions



DIN rail mounting TS35

Characteristics

- Full 2-port isolation
- Adjustable output voltage 5..30 V DC
- Current up to 1.2 A
- Stabilized, short circuit proof
- Power limiting with positive characteristics

Technical data

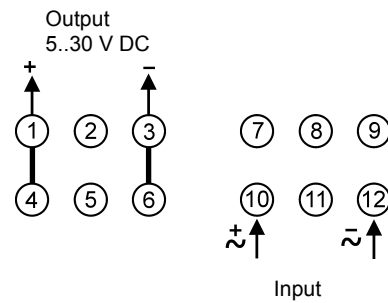
Input
 - NG500-1-0 : 85..265 V AC, 47..63 Hz
 or 85..380 V DC
 - NG500-1-5 : 18..30 V DC
 Efficiency factor : >80 % (output 24 V, 0.6 A)
 Power factor : 0,7 (output 24 V, 0.6 A)
 Operating temperature : -10..+50 °C
 CE-conformity : acc to EN 55022, EN 60555-2,
 IEC 61000-4-4/5/11

Output
 Voltage : 5..30 V DC,
 adjustable with 20-turn trimpot
 Max. current : see output diagram;
 e.g. 0.6 A at 24 V DC
 Overload : output voltage will be reduced,
 see output diagram
 at $I > 1.2$ A; switch off to approx. 1 s
 Short circuit current : < 4 A
 (only for a short rush-in time)
 Residual ripple : < 30 mV
 Load control : < 70 mV
 Temperature coeff. : < 2 mV/K

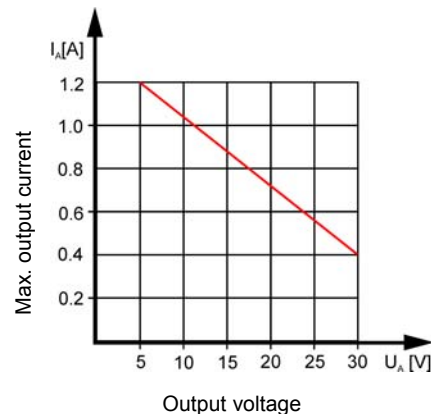
Case : standard case of polycarbonate
 8020 UL94V-1

Weight : approx. 200 g
 Electrical connection : screw terminal with pressure plate,
 max. 2.5 mm²
 Protection class : case IP30,
 terminals IP20 acc. to BGV A3

Connection diagram



Output diagram



Ordering code

NG500 - 1. - 2.

1. Output	1	5..30 V DC
3. Supply voltage (input)	0	85..265 V AC/DC
	5	10..30 V DC