

Product Information

Capacitive Level Switch MLC430



- 2-port isolation
- Microprocessor controlled measurement
- Parametrization via GHMware and internal Mini USB interface
- No moving parts in the medium
- 2 switching outputs
- Switching functions programmable
- Condensate-stability type
- Ultra-wide LED indicator

Technical data

Power supply

Supply voltage : 18..30 V DC, max. 80 mA
 Electrical connection : M12x1 plug or cable gland M16x1.5
 Polyamide (PA) or SS-type 1.4305
 CE-conformity : EN 61326:2007-05

Ambient conditions

Ambient temperature : -20..+80 °C
 Climatic class : EN 60068-2-38:2010-06
 Vibration class : EN 60068-2-6, GL test2

Certifications

EHEDG certificate no. : 28/2011

Sensor

Radiated frequency : 40.68 MHz, <1 mW
 Measuring range : DK-value 1..175
 Initialization time : 3 s
 Process temperature : -20..+100 °C, 140 °C < 30 min
 CIP-/SIP-capable

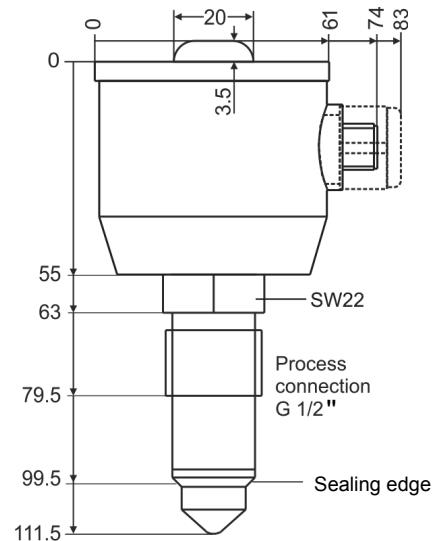
Process pressure : -1..10 bar
 Process material : PEEK, FDA approval number 21CFR177.2415
 food-safe acc. to EHEDG
 conform regulation EC 1935/2004 & 10/2001

Process connection : G1/2" hygienic
 Stud torque : 5..10 Nm
 Mounting direction : arbitrary, see mounting notes

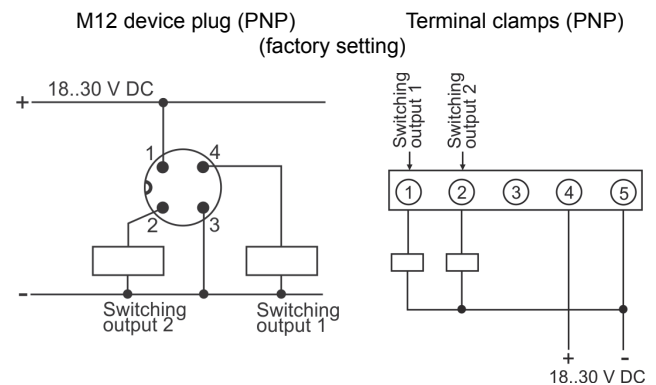
Output

Switching output : transistor PNP / NPN
 max. 30 V / 100 mA
 LED indicator S1, S2 : S1 active = green, S2 active = red
 S1+S2 active = mixed color
 Response time : programmable in range 0.02..10 s
 Isolation : sensor, case/supply, output
Case
 LED-cap : Acrylic glass (PMMA)
 Material : 1.4305
 Protection class : IP67 / IP69K

Dimension



Connection diagrams



Cable colors (plug):
 1 = brown, 2 = white, 3 = blue, 4 = black

Product Information

Ordering code

MLC430 - 1. - 2. - 3. - 4. - 5.

1. Switching output	
0	2 x PNP / NPN programmable
2. Electrical connection	
0	M12 plug (standard)
1	cable gland, PA
2	cable gland VA (1.4305)
3. Inspection window	
0	without window (standard)
1	lid with LED indicator
4. Options	
00	without option
02	internal fixing element stainless steel
5. Certificate DIN EN 10204 (indicate only when required, multiple responses possible)	
RA08	R _a < 0,8µm (with acceptance test certificate 3.1 incl. measurement report)
RA06	R _a < 0,6µm (with acceptance test certificate 3.1 incl. measurement report)
WZ2.2	factory certification 2.2
APZMAT	acceptance test certificate 3.1 for material (in contact with products)
Accessory	
ACI211	USB connection cable for programming MLC43x

Additional accessories:

ACH connection cables

APH process connection

see separate product information **GHMadapt/Accessories**.