

Product information

# Conductive Point Level Switch MLR430-3



- 4 point levels with 3 switch outputs, freely configurable
- Process connection GHMadapt G1" hygienic
- Round case, stainless steel type Ø 59 mm
- Flexible mounting: compact version
- No moving parts in the medium
- Sensitivity programmable
- Parameters programmable with GHMware via USB interface
- Isolation between sensor system, case / supply, output
- Wide range LED indicator

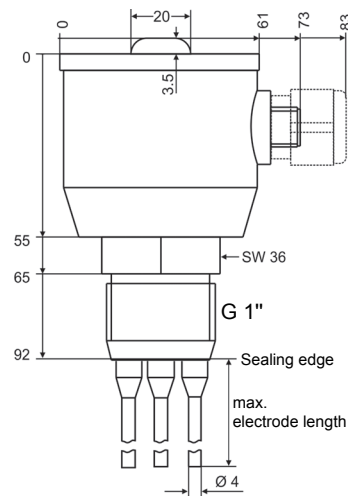
## Technical data

### Compact version

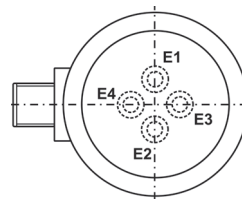
Supply voltage	: 18..30 V DC
Power consumption	: < 3 VA
CE-conformity	: EN 61326-1:2013
<b>Ambient conditions</b>	
Ambient temperature	: -20..+70 °C
Climatic class	: EN 60068-2-38:2009
Vibration class	: EN 60068-2-6:2008, GL Test 2
<b>Certifications</b>	
EHEDG certificate no.	: 28/2011
Input	: 1..4
Response time	: selectable from 0.05..10 s
Output	: NO / NC programmable
3 x Electronic	: transistor PNP, max. 30 V DC, 100 mA
Electrical connection	: M12 plug or cable gland M16x1.5 Polyamide (PA) or stainless steel type 1.4305
Isolation	: sensor system, case / supply, output
LED indicator	: red/green programmable
Case	: round case, stainless steel type Ø 59 mm
Material	: 1.4305
LED-cap	: Acrylic glass (PMMA)
Protection class	: IP67 / IP69K
Electrode	: max. 4
Electrode length	: 15..5000 mm
Process temperature	: -20..+100 °C, 140 °C < 30 min CIP-/SIP-capable
Process pressure	: -1..+10 bar
Min. media conductance	: > 2µS
Process material	: 1.4404, PEEK, PFA-coated, FDA conform food safe according to EHEDG conform regulation EC 1935/2004 & 10/2011
Process connection	: G1" hygienic
Stud torque	: 10..20 Nm

## Dimensions

MLR430-3-4-A...

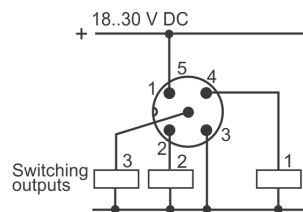


Position of electrodes

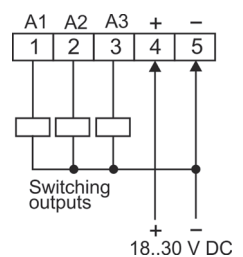


## Connection diagrams

M12 device plug, 5-pole



Internal terminal



Cable colors:  
 1 = brown, 2 = white, 3 = blue, 4 = black, 5 = grey

**Product information**

**Order code**

MLR430 -  1. -  2. -  3. -  4. -  5. -  6. -  7. -  8.

<b>1. Process connection</b>	
3	G1" hygienic
<b>2. Number of electrodes</b>	
2	2 electrodes
3	3 electrodes
4	4 electrodes
<b>3. Electrode type (rod or cable)</b>	
A	rod
<b>4. Electrode length [mm]</b>	
0200	200
0500	500
1000	1000
1500	1500
2000	2000
2500	2500
3000	3000
3500	3500
4000	4000
4500	4500
5000	5000
XXXX	customized length (on request)
<b>5. Electrode surface</b>	
0	uncoated (standard)
1	0200 PFA, black coated
	0500 PFA, black coated
	1000 PFA, black coated
	1500 PFA, black coated
	2000 PFA, black coated
	customized length (on request)
<b>6. Electrical connection</b>	
0	M12 plug
1	cable gland, plastic (PA) M16x1.5
2	cable gland, stainless steel type (1.4305) M16x1.5
<b>7. Options</b>	
00	without option
<b>8. Certificate DIN EN 10204, indicate only when required</b>	
WZ2.2	factory certification 2.2

<b>Accessories</b>	
AMD100	Spacer for multi-rod sensors
ACI211	USB programming cable for MLx43x