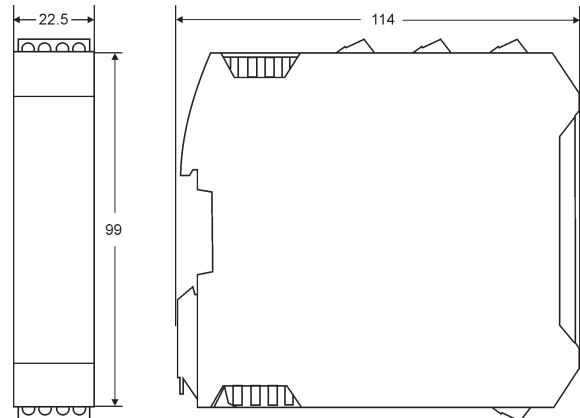


Product information

Conductive Point Level Switch MLR120

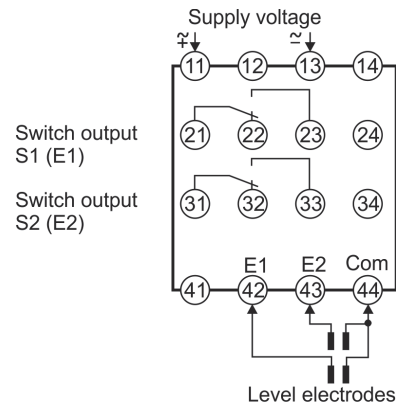


Dimensions



- Processor controlled switching device
- Up to 2 electrodes or point sensors
- Sensitivity adjustable
- Switch-on delay adjustable
- Wide range power supply 18..230 V AC/DC
- 2 alarm outputs, relay SPDT
- Case width 22.5 mm
- DIN rail mounting TS35 according to DIN EN 60715

Connection diagram



Technical data

Power supply

Supply voltage : 18..253 V AC/DC
 Power consumption : < 2 VA
 Ambient temperature : -10..55 °C
 Storage temperature : -40..+60 °C
 Relative humidity : < 95 %
 Condensation : not allowed
 CE-conformity : EN 61326-1:2013

Input

Electrodes : 2
 Switching point : selectable from 0.05..500 kΩ
 Response time : selectable from 1..10 s
 Min. media conductance : > 2 μS
 Measuring voltage : < 5 V AC

Outputs

2 relay SPDT : < 250 V AC < 50 VA < 2 A, ohmic load
 < 100 V DC < 50 W < 2 A, ohmic load

Indicators : LED green (operating)
 LED red (limit CH1 + CH2)

Case : Polyamide (PA) 6.6, UL94V-0
 DIN rail mounting TS35
 according to DIN EN 60715

Weight : approx. 200 g
 Connection : slide-in screw terminals
 with pressure plates
 0.14..2.5 mm² (AWG 26..14)

Protection class : IP20, acc. to BGV A3

Order code

MLR120 - 1. - 2. - 3. - 4. - 5.

1. Measuring input	
0	2 electrodes
2. Output	
0	2 relays
3. Supply voltage	
0	18..253 V AC/DC
4. Options	
00	without option
01	fast switching ≥ 50 ms
5. Certificate DIN EN 10204, indicate only when required	
WZ2.2	factory certification 2.2